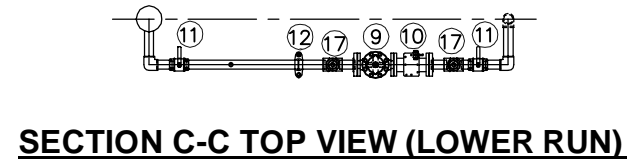
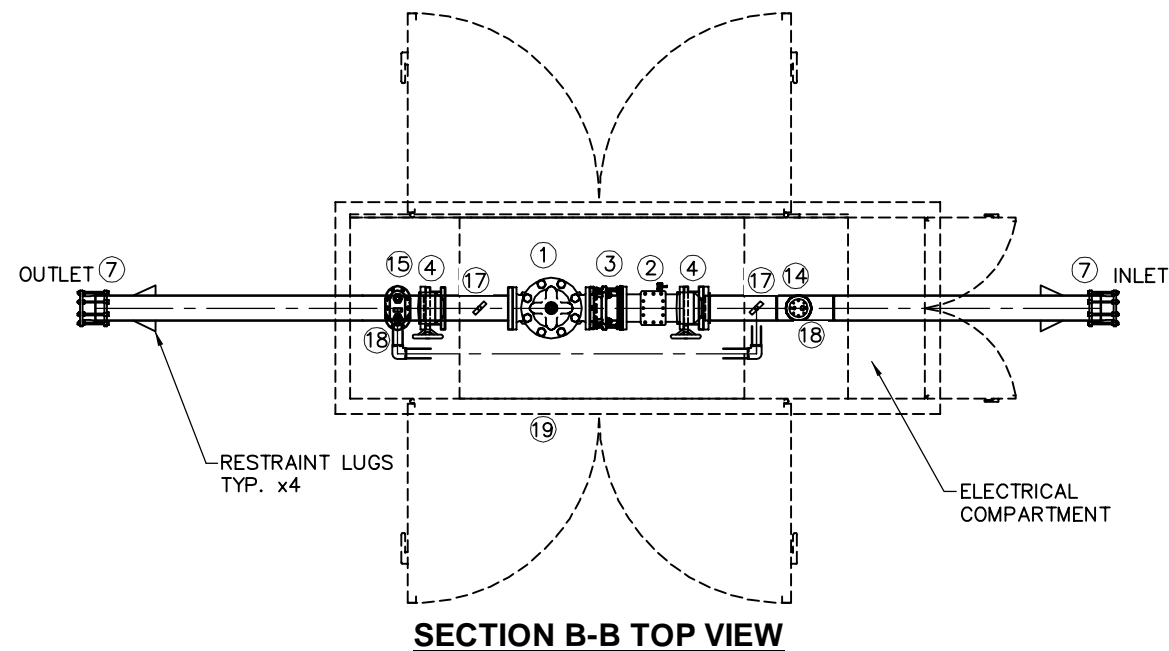
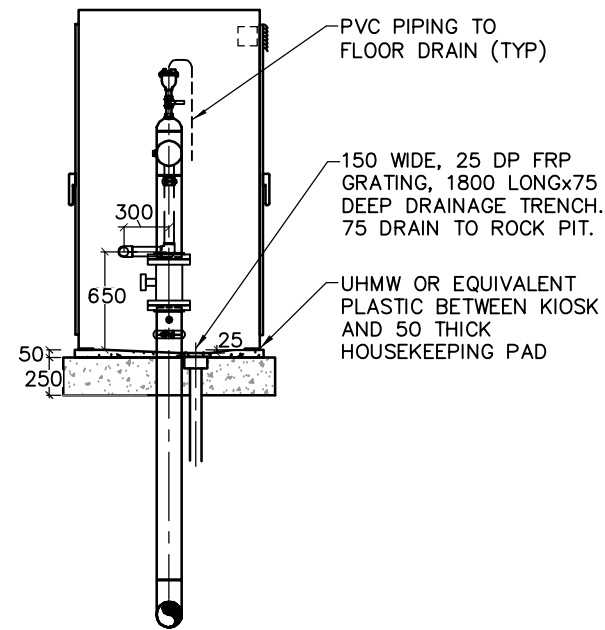
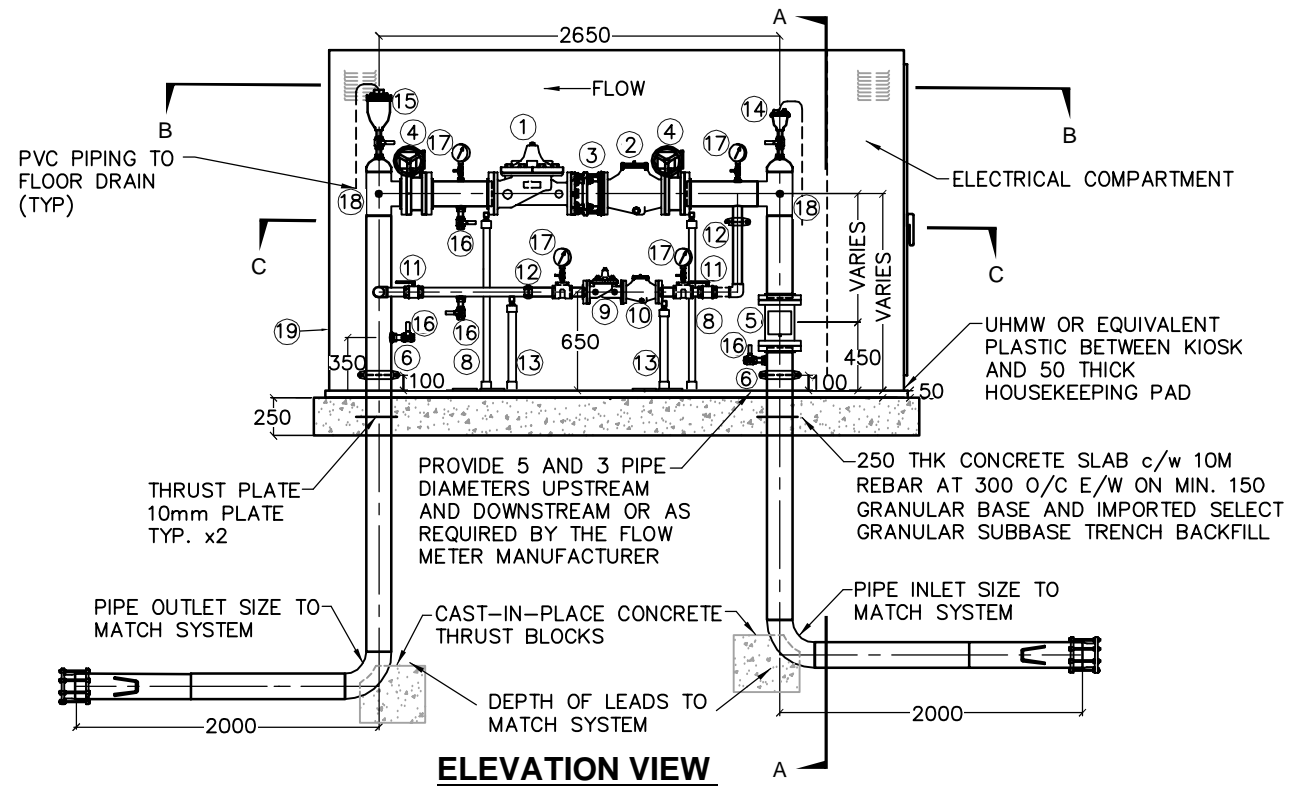


STANDARD DETAIL DRAWINGS



NOTES:

1. ALL PIPE & FITTINGS TO BE PER APPROVED PRODUCTS LIST.
2. ALL PIPING 316 STAINLESS STEEL.
3. COORDINATE WITH FORTIS TO PROVIDE A 120/240 VAC, 100A SERVICE C/W CABLE PULL BOX IN KIOSK.
4. KIOSK TO BE SUPPLIED WITH:
  - 500W BASEBOARD HEATER AND TWO VENTILATION FANS C/W HEATING AND COOLING THERMOSTATS
  - TEMPERATURE AND HUMIDITY TRANSMITTER
  - FLOW TRANSDUCER AND FLOW INDICATING TRANSMITTER
  - 2-15A GFCI RECEPTACLES
  - DATA RADIO AND YAGI ANTENNA
  - 1000VA UPS
  - O&M MANUALS

MATERIALS LIST		
ITEM	QTY	DESCRIPTION
1	1	PRESSURE REDUCING VALVE W/ POSITION INDICATOR, AWWA EPOXY COATING AND S.S. TRIM - APPROVED SUPPLIERS: CLA-VAL OR SINGER
2	1	"H" STRAINER W/ EPOXY COATING, S.S. HARDWARE AND S.S. BLOWDOWN VALVES - APPROVED SUPPLIERS: CLA-VAL OR SINGER
3	1	DISMANTLING JOINT W/ S.S. FASTENERS - APPROVED SUPPLIERS: ROBAR OR OTHER APPROVED SUPPLIER
4	2	BUTTERFLY VALVE W/ S.S. DISC AND HANDWHEEL - APPROVED SUPPLIERS: MUELLER, DEZURIK OR VICTAULIC
5	1	MAG METER W/ REMOTE DISPLAY IN ELECTRICAL CABINET-APPROVED SUPPLIERS: SIEMENS OR ROSEMOUNT
6	2	RIGID COUPLING FOR S.S. - APPROVED SUPPLIERS: VICTAULIC OR SHURJOINT
7	2	EXTERNAL TRANSITION COUPLING - APPROVED SUPPLIERS: ROBAR OR OTHER APPROVED SUPPLIER
8	2	CWS ADJ. GALV. STEEL PIPE SUPPORT
9	1	PRESSURE REDUCING VALVE W/ POSITION INDICATOR, AWWA EPOXY COATING AND S.S. TRIM - APPROVED SUPPLIERS: CLA-VAL OR SINGER (BYPASS)
10	1	"H" STRAINER W/ EPOXY COATING, S.S. HARDWARE AND S.S. BLOWDOWN VALVES - APPROVED SUPPLIERS: CLA-VAL OR SINGER (BYPASS)
11	2	S.S. BALL VALVE (BYPASS)
12	2	RIGID COUPLING FOR S.S. - APPROVED SUPPLIERS: VICTAULIC OR SHURJOINT (BYPASS)
13	2	CWS ADJ. GALV. STEEL PIPE SUPPORT (BYPASS)
14	1	AIR RELEASE VALVE W/ S.S. ISOLATION VALVE AND VENT PIPE - APPROVED SUPPLIERS: VALMATIC OR VENT-O-MAT
15	1	COMBINATION AIR RELEASE VALVE W/ S.S. ISOLATION VALVE AND VENT PIPE - APPROVED SUPPLIERS: VAL-MATIC OR VENT-O-MAT
16	4	THREADOLET W/ S.S. BALL VALVE AND PLUG
17	4	(100mm) LIQUID FILLED PRESSURE GAUGE (6MM NPT) W/ S.S. ISOLATION BALL VALVES AND TEE OR WELDOLET AS REQUIRED - APPROVED SUPPLIERS: SIEMENS OR ABB
18	2	(19mm) THREADOLET FOR WALL MOUNTED PRESSURE TRANSMITTER W/ S.S. BALL VALVE - APPROVED SUPPLIERS: SIEMENS OR ABB
19	1	ALUMINUM QUAD DOOR KIOSK WITH END CABINET PER APPROVED PRODUCTS LIST

PRESSURE REDUCING STATION