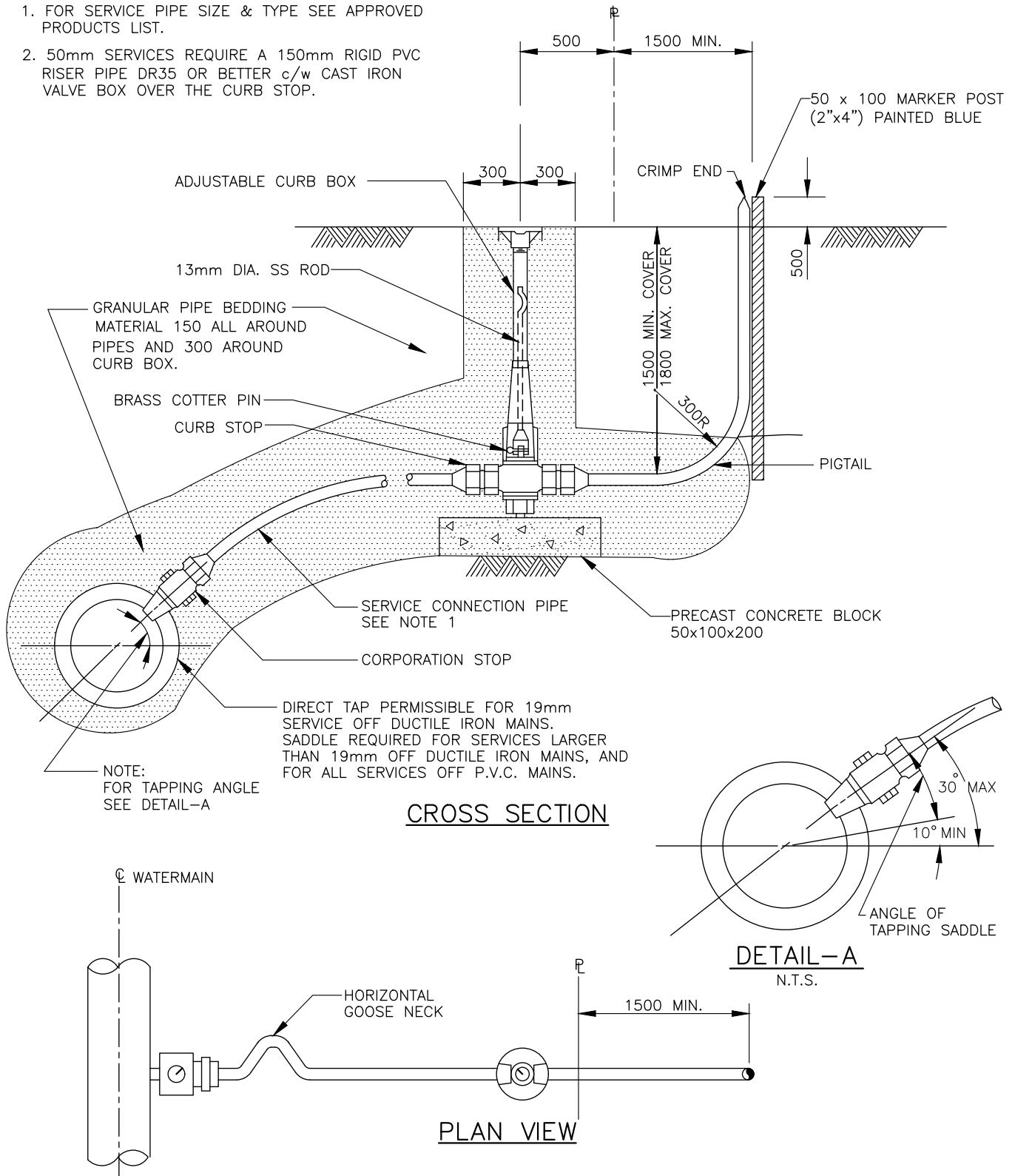


**NOTES:**

1. FOR SERVICE PIPE SIZE & TYPE SEE APPROVED PRODUCTS LIST.
2. 50mm SERVICES REQUIRE A 150mm RIGID PVC RISER PIPE DR35 OR BETTER c/w CAST IRON VALVE BOX OVER THE CURB STOP.



**STANDARD  
DETAIL  
DRAWING**

DATE:  
MAY 09/24  
SCALE:  
NTS

**WATER SERVICE CONNECTION**

DWG. NO.

**SS-W2**

