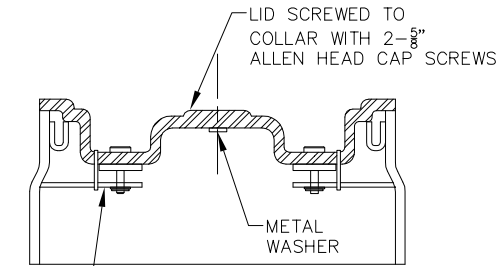
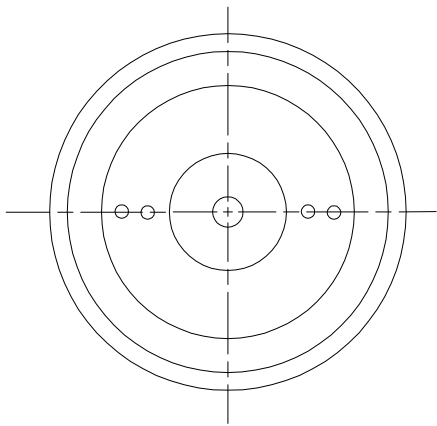
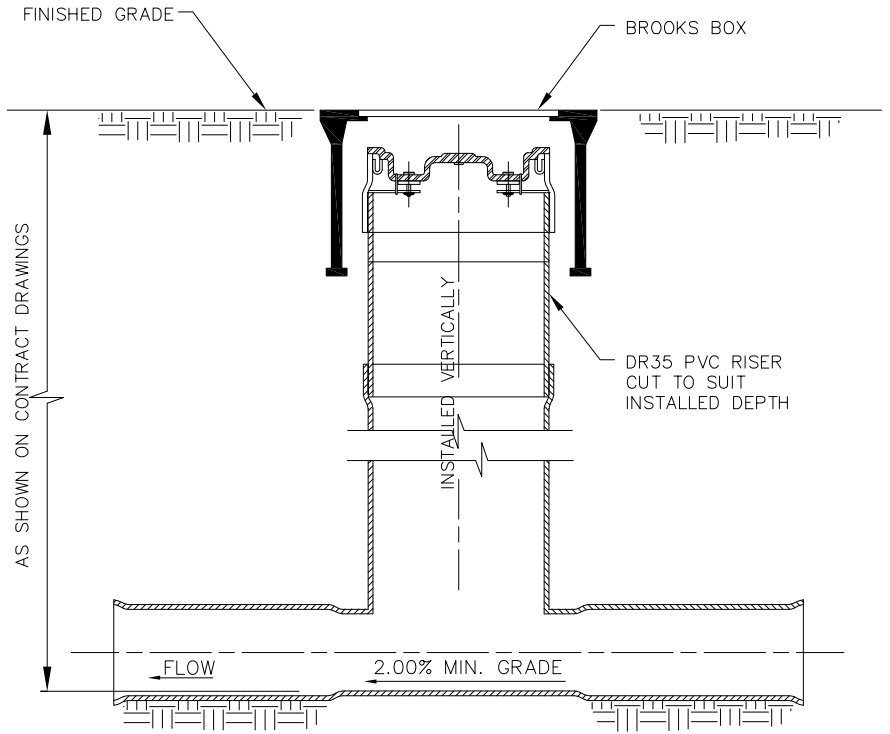


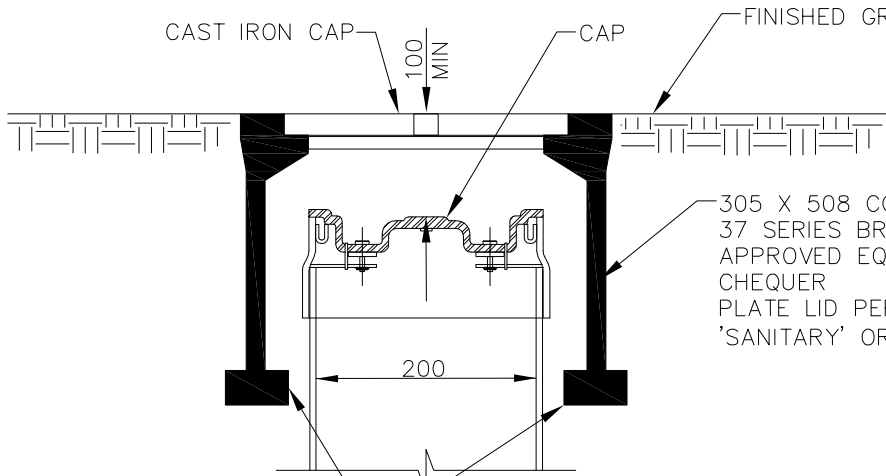
P:\DRAFTING\STANDARD_DRAWINGS\CITY_OF_KELOWNA UTILITIES\DRAINAGE_AND_SANITARY\PROPOSED_FOR_COUNCIL\SS-S9



CAP DETAIL
N.T.S



PROFILE VIEW
N.T.S



BROOKS BOX DETAIL
N.T.S

NOTE:

- 1. REFER TO DRAWING SS-S7 FOR INSTALLATION REQUIREMENTS.
- 2. INSPECTION TO BE APPROVED MANUFACTURED FITTING.
- 3. REFER TO CONTRACT DRAWINGS FOR SITE SPECIFIC DIMENSIONS AND SECTION 02731 FOR DETAILED SPECIFICATIONS.
- 4. RED CAP FOR SANITARY AND GREEN CAP FOR STORM CONNECTIONS.

**INSPECTION CHAMBER FOR 100 TO 200
SANITARY SEWER OR STORM DRAIN CONNECTION**

**DRAWING NUMBER
SS-S9**