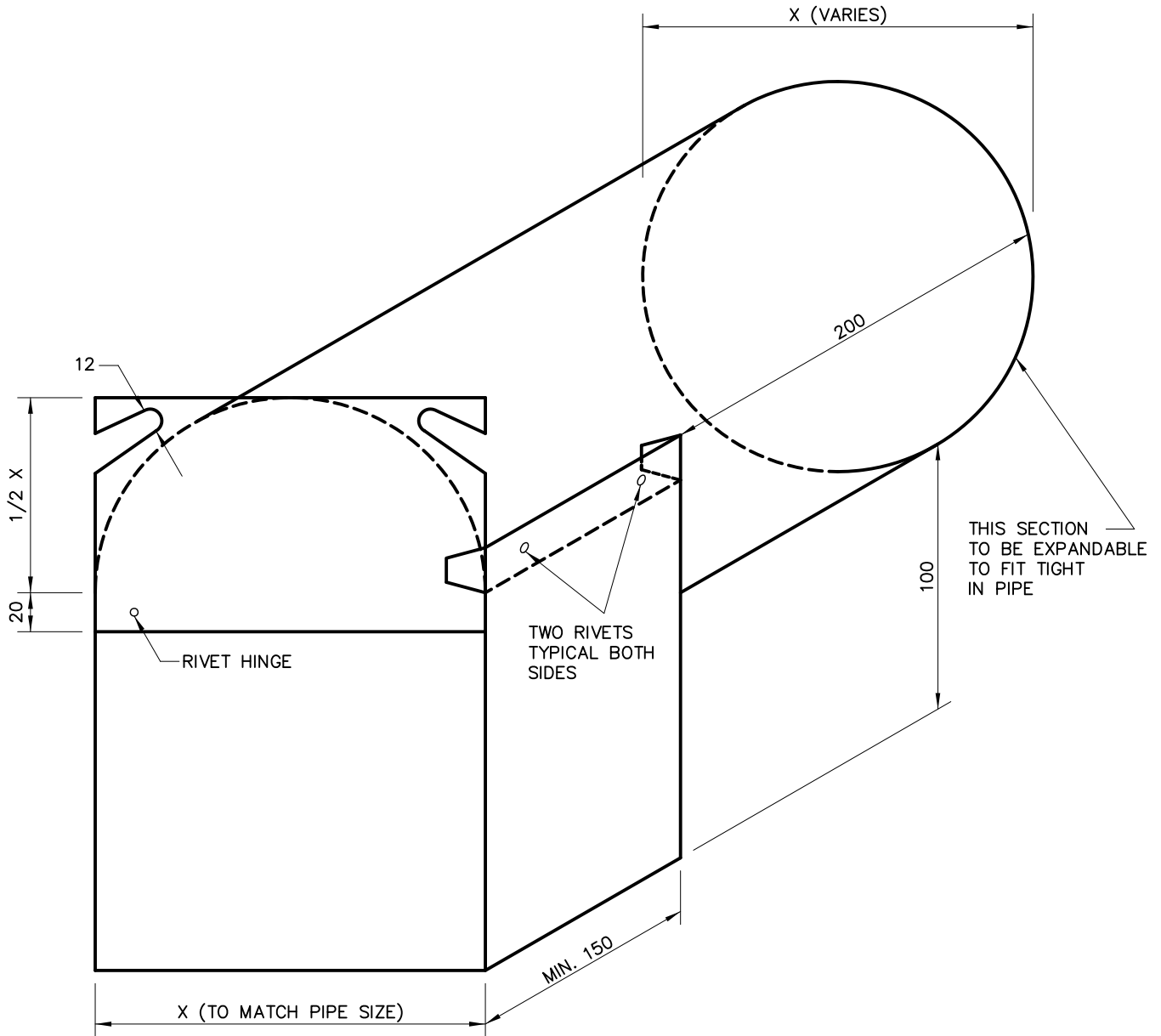


STANDARD DETAIL DRAWINGS



NOTES:

1. SEWER TRAPS SHALL BE MANUFACTURED FROM 16 GAUGE ALUMINUM.
2. BLIND RIVETS ONLY SHALL BE USED. RIVETS SHALL BE ALUMINUM EQUAL TO POP #AD64ABS.

NOV. 2/98

CATCH BASIN TRAPPING HOOD

SS-S54