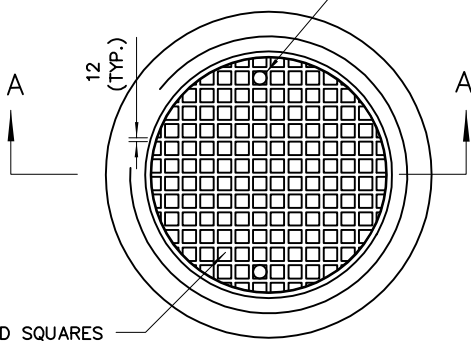


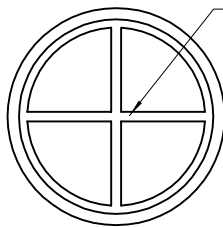
STANDARD DETAIL DRAWINGS

2 - 22mm DIA. PICK-OUT HOLES REQ'D

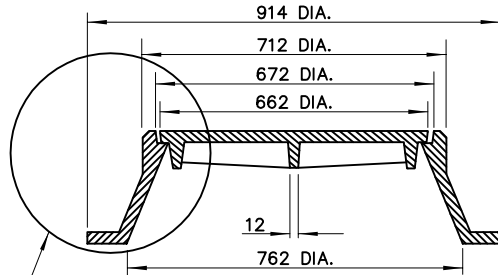


RAISED SQUARES
(5mm HIGH)

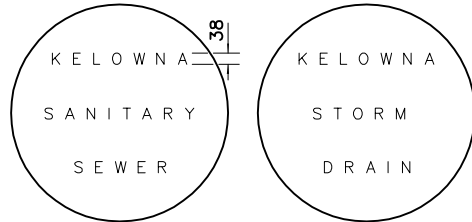
PLAN



WEBBING TO ACCOMMODATE
SPECIFIED LOAD

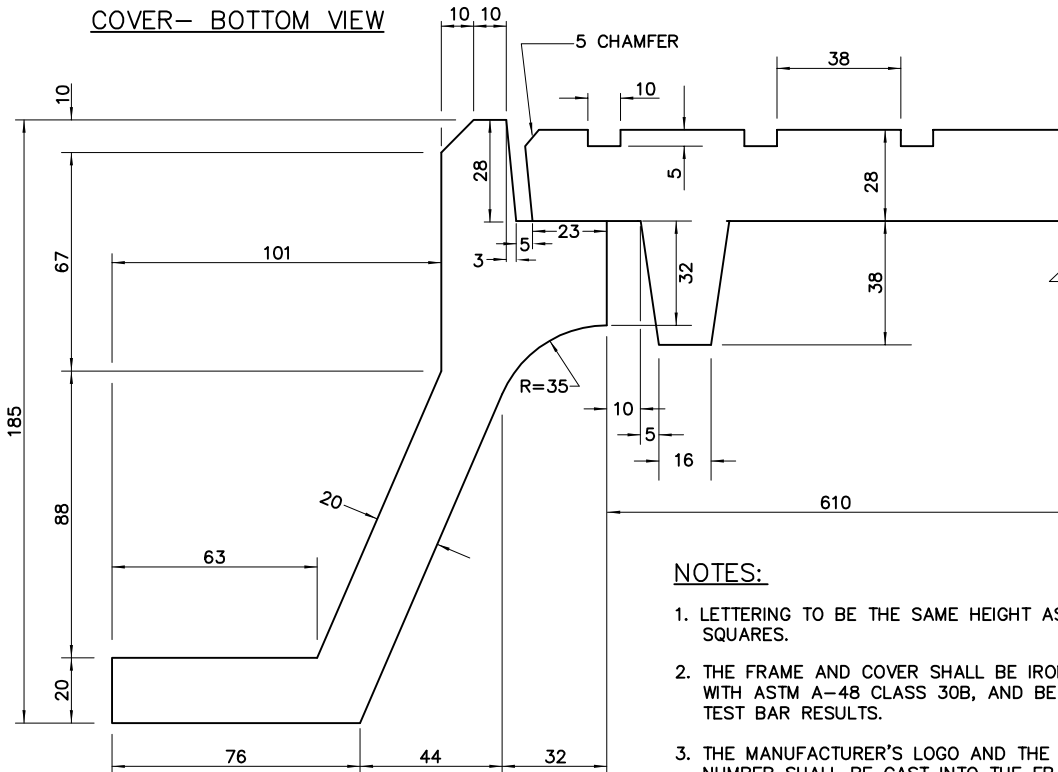


SEE DETAIL 'A'
SECTION 'A-A'



STANDARD LETTERING ON COVER

COVER- BOTTOM VIEW



DETAIL 'A'

NOTES:

1. LETTERING TO BE THE SAME HEIGHT AS THE RAISED SQUARES.
2. THE FRAME AND COVER SHALL BE IRON IN ACCORDANCE WITH ASTM A-48 CLASS 30B, AND BE ACCOMPANIED BY TEST BAR RESULTS.
3. THE MANUFACTURER'S LOGO AND THE HEAT SERIES NUMBER SHALL BE CAST INTO THE FRAME AND COVER.
4. COVER AND FRAME TO BE ABLE TO WITHSTAND 175 kN (40 000LBS) LOAD APPLIED AT THE CENTER OF THE COVER ON A 50mm THICK 250 x 250 RUBBER PAD.
5. THE CONTACT SURFACES BETWEEN THE FRAME AND THE COVER ARE TO BE MACHINED SMOOTH.

P:\DRAFTING\Standard Drawings\City_of_Kelowna\Utilities\Drainage and Sanitary\Proposed for Council

MANHOLE FRAME AND COVER

SS-S1b

JUNE 28/18