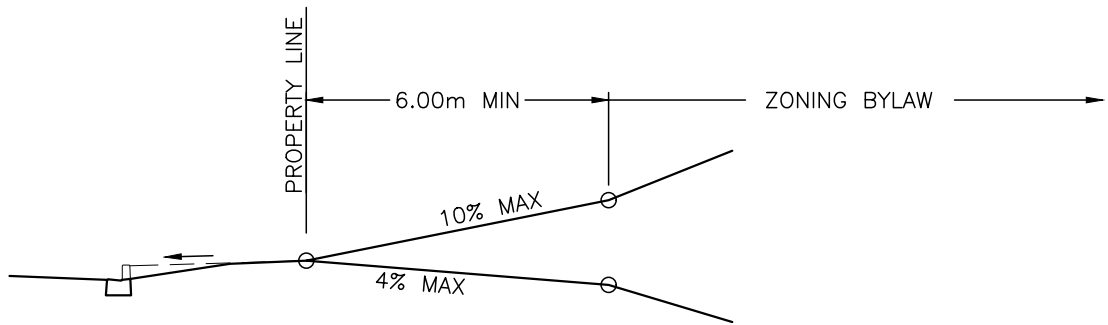


GROUND-ORIENTED  
INFILL HOUSING / SINGLE & TWO DWELLING



COMMERCIAL / MULTI-DWELLING

**NOTES:**

1. MAXIMUM GRADE CHANGE AT ANY TRANSITION POINT 12% OR AS PER K-VALUE IN TABLE 4.4.1 SCHEDULE 4 SECTION 4.

**STANDARD  
DETAIL  
DRAWING**

DATE:  
OCT 31 /22  
SCALE:  
NTS

**DRIVEWAY GRADES**

DWG. NO.

**SS-R58**

