

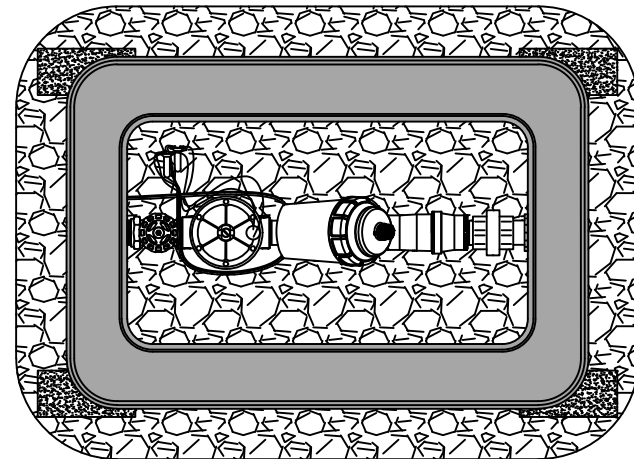
DRIP ZONE KIT  
38mm

DETAIL TITLE:

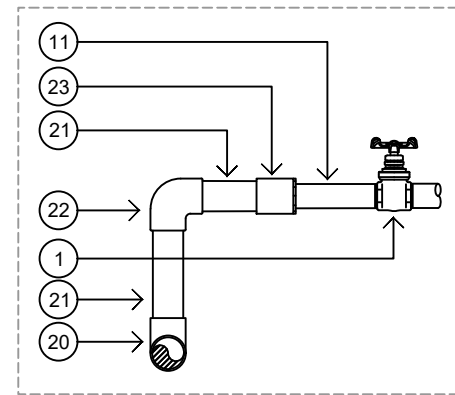
MAY 2024

DETAIL No.:  
**SS-IR.05f**

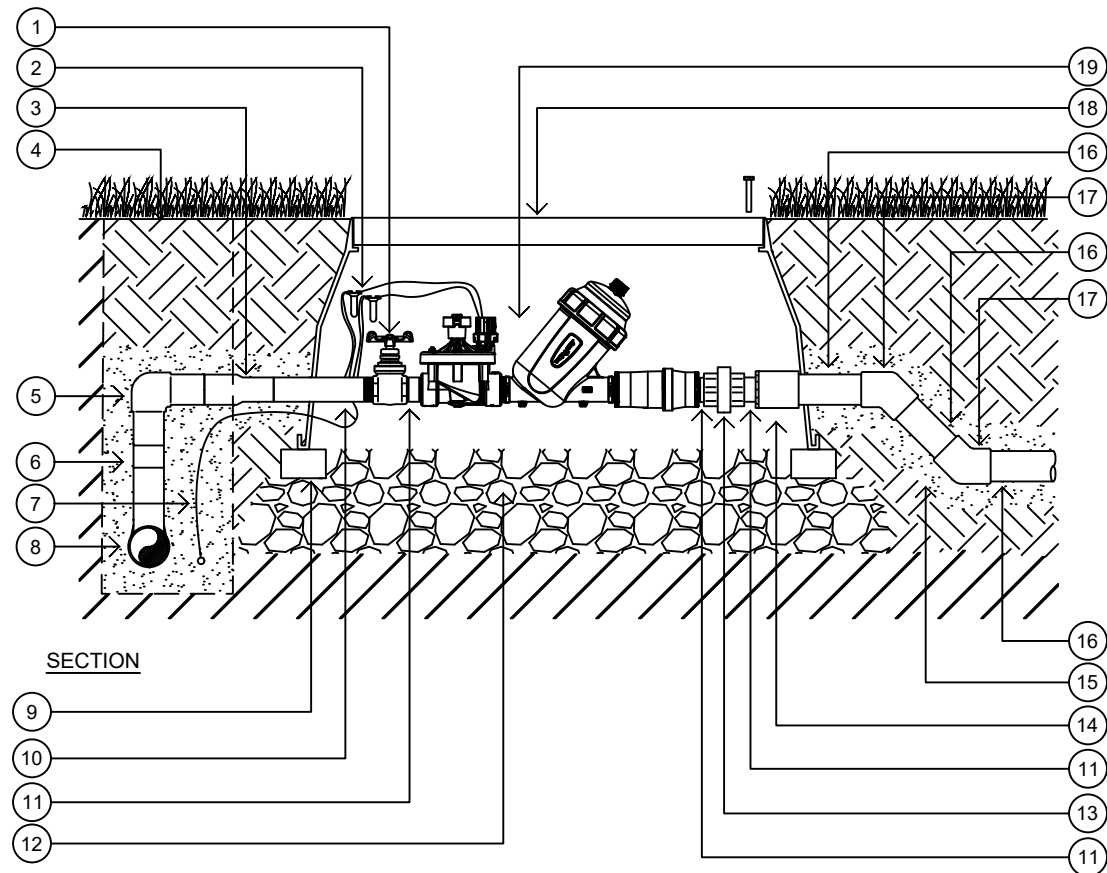
SCALE:  
**1:15**



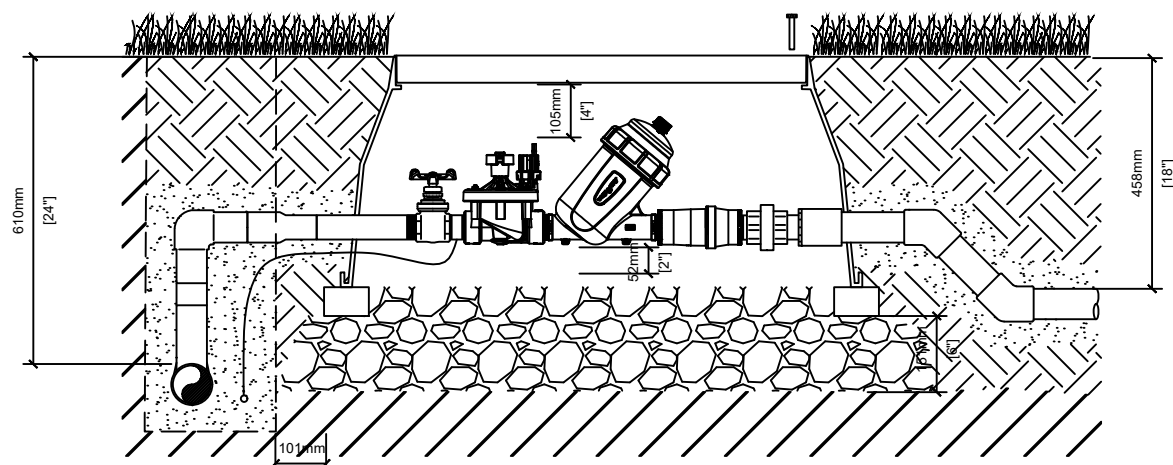
PLAN



INSET 'A'



SECTION



SECTION

LEGEND	
#	38mm ECV
1	38mm GATE VALVE
2	600mm SLACK WIRE w/ WIRE CONNECTOR
3	50mm x 38mm MOLDED BUTT FUSION REDUCER
4	FINISHED GRADE
5	50mm MOLDED BUTT FUSION 90° ELBOW
6	50mm HDPE PIPE, LENGTH TO VALVE HEIGHT
7	WIRING, REFER TO IRRIGATION DESIGN
8	MOLDED BUTT FUSION REDUCING TEE, REFER TO INSET 'A' IF USING A PVC MAINLINE
9	FOUR (4) BRICKS MIN., INSTALLED AT EACH CORNER
10	50mm x 38mm STANDARD MIPT-NPT TRANSITION FITTING - MALE
11	38mm SCHEDULE 80 NIPPLE
12	150mm DEPTH 25mm DRAIN ROCK, EXTEND 100mm PAST VALVE BOX
13	38mm SCHEDULE 80 THREADED UNION
14	SCH 80 COUPLER w/ REDUCING BUSHING IF REQUIRED, REFER TO IRRIGATION DESIGN FOR LATERAL PIPE SIZING
15	SAND BEDDING, REFER TO TRENCH SECTION
16	CSA APPROVED CLASS 200 PVC LATERAL, REFER TO DESIGN FOR LATERAL PIPE SIZING
17	SCHEDULE 40 PVC 45° ELBOW TO TRENCH DEPTH
18	VALVE BOX
19	38mm DRIP ZONE KIT
20	SCHEDULE 40 PVC TEE
21	SCHEDULE 40 PVC MAINLINE
22	SCHEDULE 40 90° ELBOW
23	SCHEDULE 80 COUPLING w/ 38mm REDUCING BUSHING IF REQUIRED

NOTE:

- CENTER VALVE IN VALVE BOX
- INSTALL PLASTIC TAG ENGRAVED w/ ZONE NUMBER
- MAINTAIN 50mm GAP BETWEEN BOTTOM OF VALVE & TOP OF DRAIN ROCK
- WRAP VALVE BOX WITH LANDSCAPE FABRIC TO PREVENT INGRESS OF MATERIAL
- DO NOT INSTALL VALVE OVER MAINLINE, INSTALL VALVE PERPENDICULAR TO MAINLINE
- MAINTAIN 600mm OF SLACK TWO-WIRE CONDUCTOR IN VALVE BOX. TAPE WIRING TOGETHER