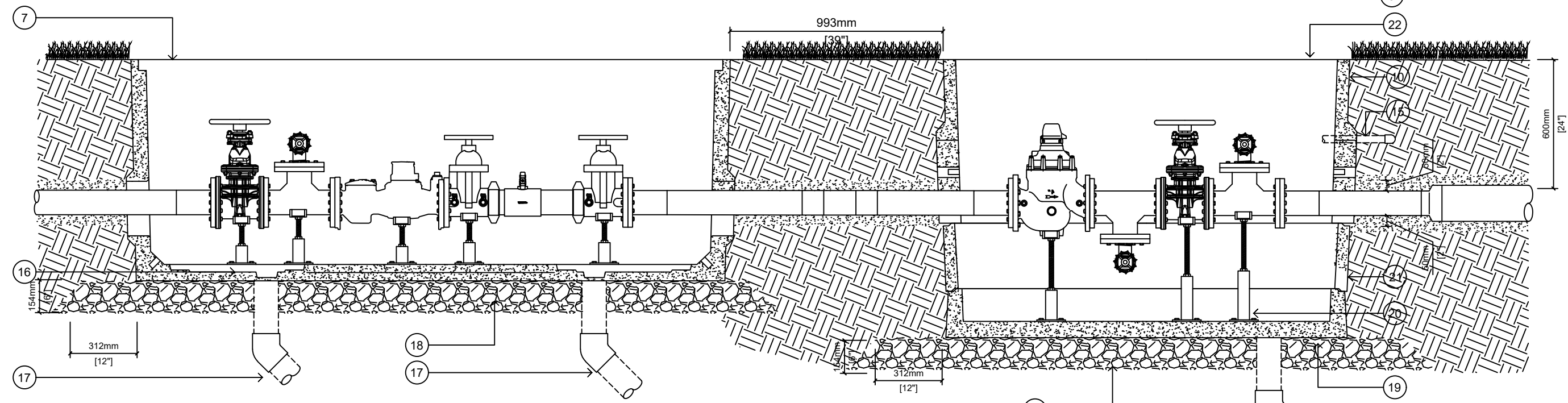


**NOTE:**

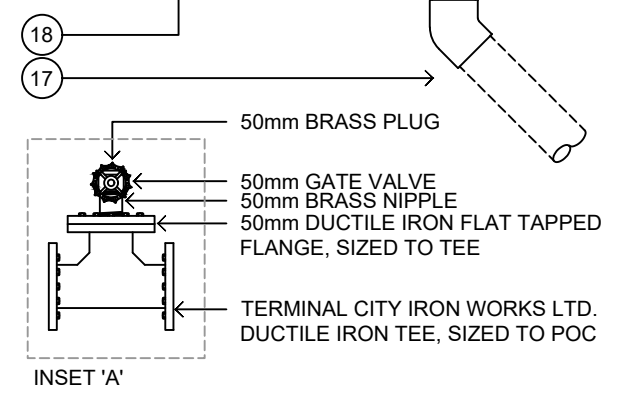
- APPLY EXPANDING FOAM TO SEAL ALL PIPE PENETRATIONS MADE IN VAULT
- ALL FLANGES TO BE INSTALLED AS PER MANUFACTURER'S RECOMMENDATIONS w/ STAINLESS STEEL BOLTS

PLAN VIEW - CHAMBER



SECTION

LEGEND			
1	CONNECT TO WATER SERVICE, TRANSITION TO 100mm HDPE	7	KON KAST 1132 VAULT w/ LID
2	100mm BUTT FUSION (BF) FLANGE ADAPTER	8	100mm HDPE PIPE
3	RESILIENT WEDGE GATE VALVE, FL x FL w/ HANDWHEEL	9	100mm BF TEE FOR SUBMAIN, SIZE PER PLAN
4	BLOW-OUT ASSEMBLY, SEE INSET 'A'	10	KON KAST 1102 SPLICE BOX, REFER TO SS-IR02a
5	100mm PURVEYOR APPROVED WATER METER	11	100mm HYDROMETER
6	100mm DOUBLE CHECK VALVE ASSEMBLY	12	DOWNWARD FACING BLOW-OUT ASSEMBLY, SEE INSET 'A'
13	150mm BUTT FUSION REDUCER IF REQUIRED, SIZED PER MAINLINE	14	MAINLINE, REFER TO PLANS FOR SIZING
15	50mm ELECTRICAL CONDUIT TO CONTROLLER	16	FIVE (5) PIPE STANDS
17	100mm PVC DRAIN PIPE TO TIE INTO DRAINAGE SYSTEM OR TO DRAIN PIT CONSISTING OF 2m <sup>2</sup> OF 25mm MINUS DRAIN ROCK WRAPPED IN LANDSCAPE FABRIC	18	150mm DEPTH OF 98% SPD COMPACTED 25mm MINUS GRANULAR BASE
		19	KON KAST 1102 SPLICE BOX BASE
		20	THREE (3) PIPE STANDS
		21	KON KAST 1102 SPLICE BOX 300mm RISER
		22	LID



POINT OF CONNECTION  
100mm

DETAIL TITLE:

DETAIL No.:  
**SS-IR.03b**

SCALE:  
**1:20**

APRIL 2024