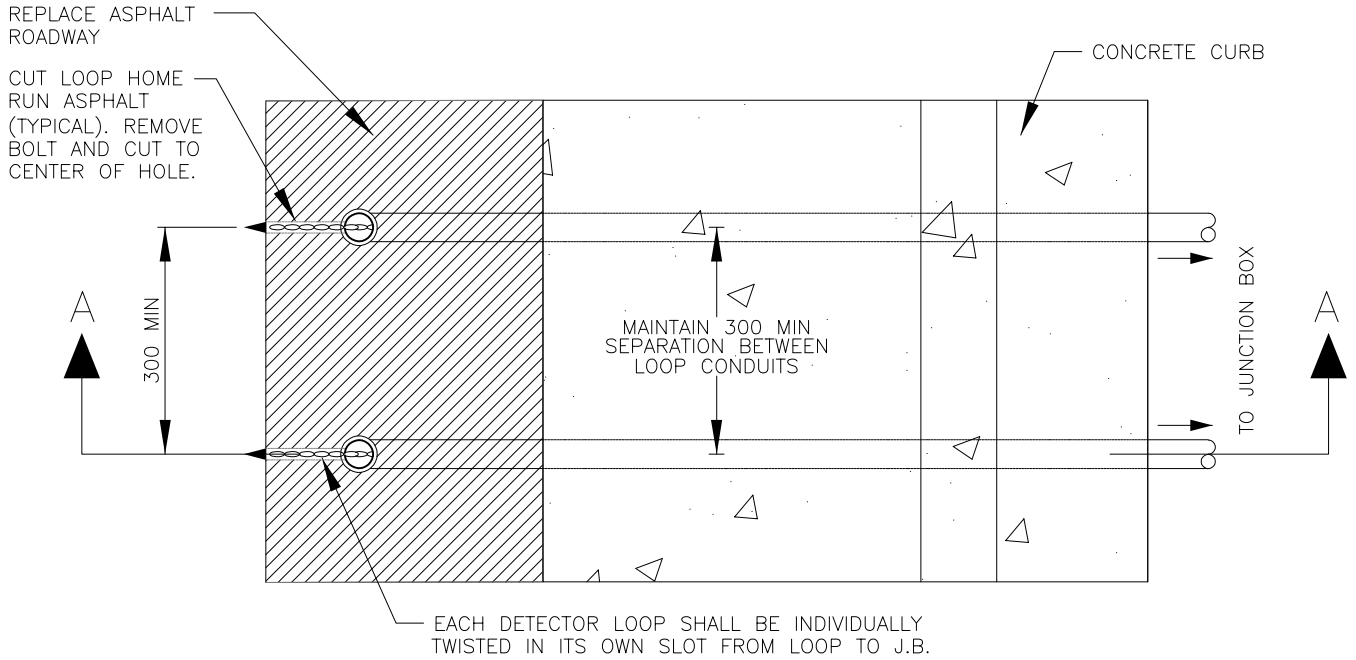
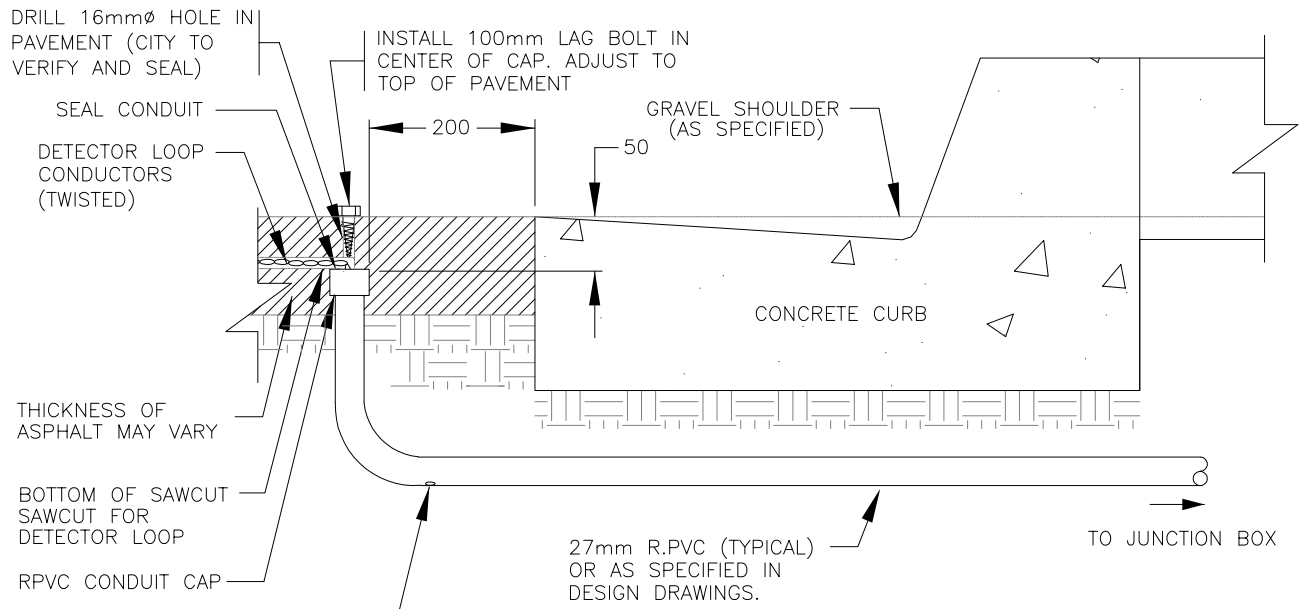


BYLAW NOTE



EACH DETECTOR LOOP SHALL BE INDIVIDUALLY TWISTED IN ITS OWN SLOT FROM LOOP TO J.B.

TOP VIEW



**SECTION A-A
N.T.S.**

NOTES

1. REFER TO CONTRACT DRAWINGS AND SECTION 34 41 13 FOR DETAILED SPECIFICATIONS.
2. ALL DIMENSIONS IN MILLIMETRES UNLESS OTHERWISE NOTED.
3. LAG BOLT IS FOR LOCATING CONDUIT STUB AND IS TO BE REMOVED UPON INSTALLATION OF LOOP WIRES.

**STANDARD
DETAIL
DRAWING**

DATE:
07/20/20
SCALE:
NTS

DETECTOR LOOPS

DWG. NO.

SS-E8.2

